

# Quick Guide for the V-Tap VoIP 3



The V-Tap VoIP 3 is a device that can capture VoIP telephony from a network and store this data onto an SD card and/or send this data to a server, which can be a [Call Recorder Apresa](#) or the [V-Archive software](#) running on a PC.

The V-Tap VoIP is a normal 2-port switch that can filter the network traffic and pass the packets to the built-in microcontroller (internal mirroring).

The V-Tap VoIP 3 unit itself must hold as many channel-licenses as the number of VoIP phones to be recorded simultaneously.

**NOTE1:** The SD card must be formatted with the FAT32 file system. Cards above 32 GB (up to 2 TB) are not tested and must be formatted as FAT32 first, before inserting them into the V-Tap.

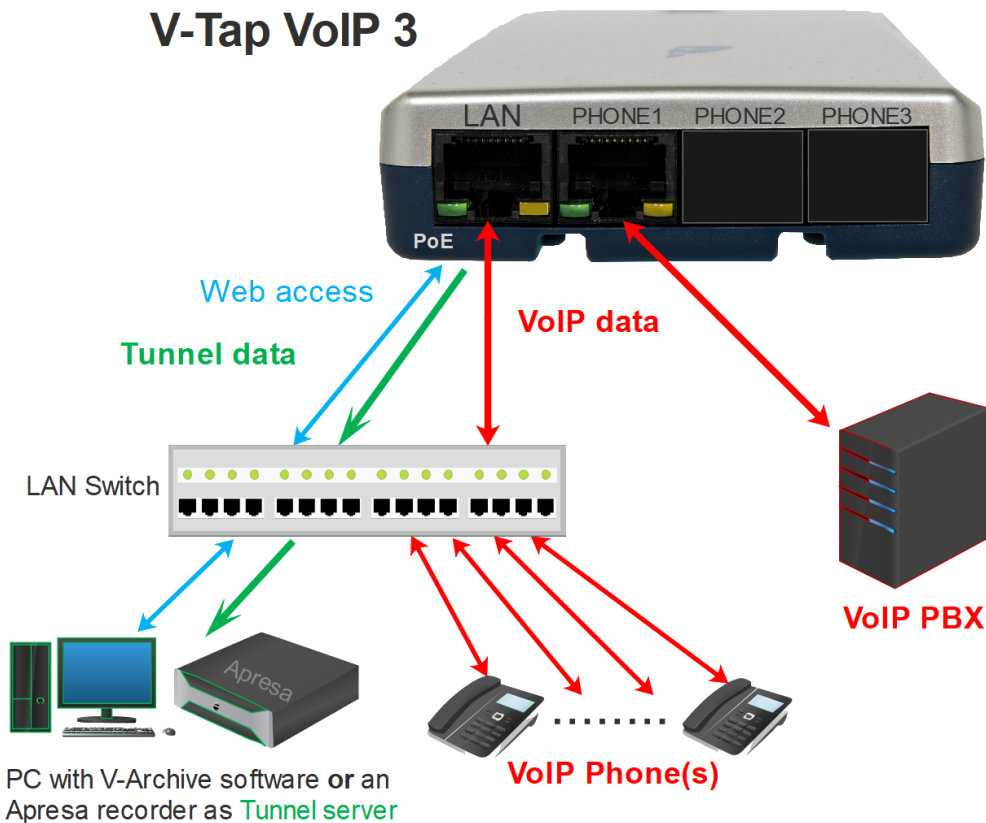
**NOTE2:** The port named LAN can be used to connect a Power over Ethernet (PoE) supply. The V-Tap itself does not generate PoE.

## BOX CONTENT & DOWNLOADS

- V-Tap VoIP 3 unit
- USB adapter
- USB cable
- LAN cable
- SD card
- 1 year Support & Update license (S&U)
- This Quick Guide
- Manual: <https://www.vidicode.com/download/v-tap-voip3-manual-en/>
- V-Archive PC software: <https://www.vidicode.com/download/v-archive/>

# Quick Guide for the V-Tap VoIP 3

## HARDWARE INSTALLATION



- By default, the V-Tap VoIP 3 functions as a normal 2-port switch.
- Connect the local network plus VoIP traffic to the LAN port.
- Connect the VoIP PBX or trunk to the PHONE1 port.
- For power supply, use USB or connect PoE to the LAN port.

## SETUP THROUGH THE WEB INTERFACE

There are two ways to access the web interface of the V-Tap:

- 1) Start a browser and enter the address <http://vtapXXXX.local>, in which **XXXX** are the last 4 digits of the MAC address, found on the bottom.

```
010.02500 V-Tap
MAC:00034901019E
SN: 500464
```

For this V-Tap, enter <http://vtap019e.local>

- 2) Or enter an IP address on the first line of the text file "IP", put "IP.TXT" onto an SD card and insert the card into the V-Tap. Then enter this IP address in the address line of the browser.

Login with the username **admin** and password **admin**.

After login, the settings page appears. For a detailed description of the above possibilities and of all the settings, see the [V-Tap VoIP manual](#).

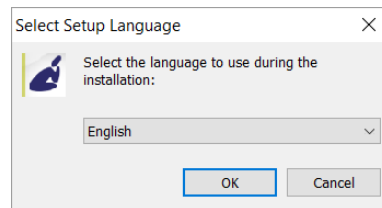
# Quick Guide for the V-Tap VoIP 3

## PC REQUIREMENTS FOR THE V-ARCHIVE SOFTWARE

Windows Vista/7/8/10 , Intel Pentium >2GHz , 4GByte RAM , >100 MB free disk space.

## V-ARCHIVE SOFTWARE INSTALLATION

- In the case that no CD is supplied, you can download V-Archive from here:  
[www.vidicode.com/download/v-archive/](http://www.vidicode.com/download/v-archive/)
- With a CD, place it in your computer and the software installation starts automatically. If it does not start, locate the file 'VArchiveInstall.exe' on the CD and start it manually. The following window appears:

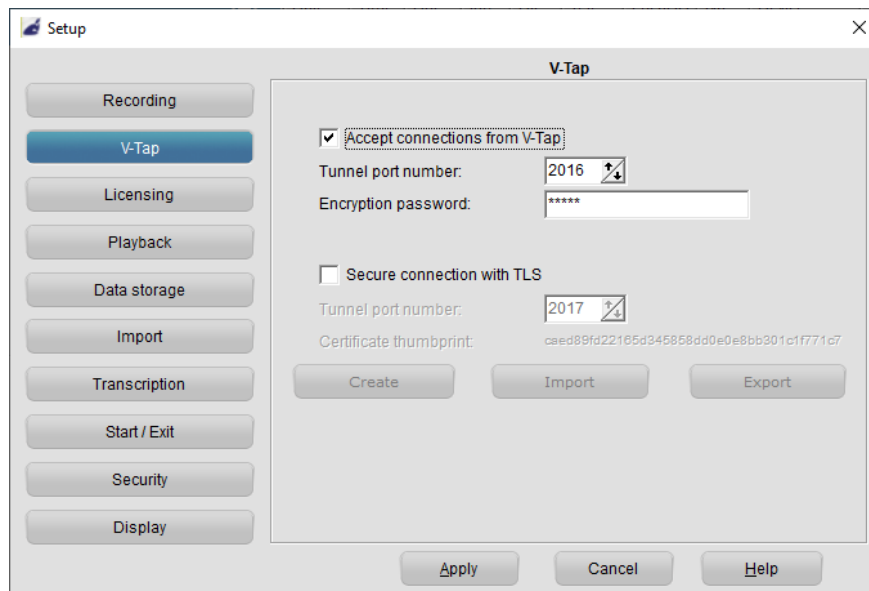


Select your preferred language for the installation and press OK.

The menu will ask for an installation key, please enter: **V-TAP**

Now you can proceed with the next steps of the installation and you will be asked to confirm the locations on your hard drive where to store the software and the data files.

- To setup V-Archive to receive data from the V-Tap, go to Options, Setup, Recording tab, and enable V-Tap connections:



**NOTE1:** The PC's IP address must be entered as the "Tunnel Server Address" in the V-Tap.

**NOTE2:** The PC's firewall must be open for these TCP ports. The installer will try to do this automatically.

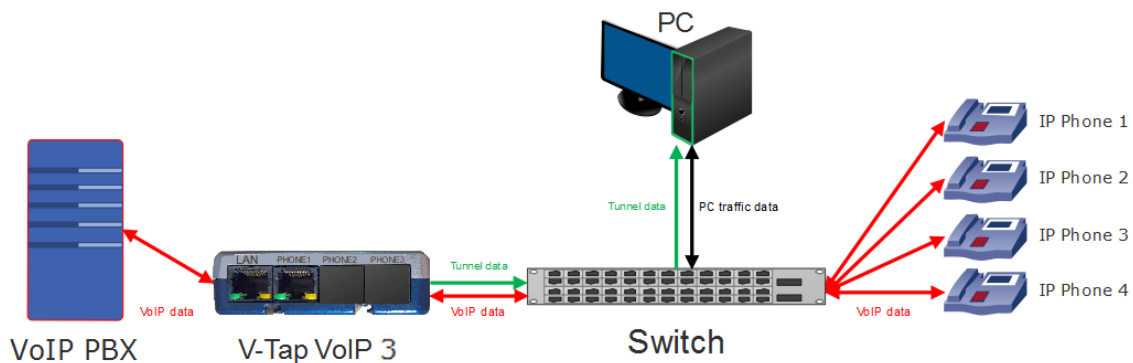
**NOTE3:** The Encryption password must be the same as the "Encryption Password" in the V-Tap.

**NOTE4:** In the Recording tab, enter the IP address(es) of the VoIP phone(s) for the right direction of calls.

**NOTE5:** The V-Archive software itself does not need any license to receive from the V-Tap.

# Quick Guide for the V-Tap VoIP 3

## CHECKLIST FOR TUNNEL CONNECTION



A connection between V-Tap and PC software (or Apresa) is needed to get the recorded data automatically into a user accessible database. The following checklist can be used to setup this Tunnel connection:

- 1) Install the Hardware and be sure that the phone's VoIP data passes the V-Tap VoIP.
- 2) Install the V-Archive software on a PC and enable V-Tap connections (see page 3).
- 3) Open the Settings page of the V-Tap in a browser by entering <http://vtapXXXX.local>, in which **XXXX** are the last 4 digits of the MAC address, found on the bottom of the unit (see page 2). *It may take up to a minute after first connect, before this local name is known to the PC.*
- 4) On the Settings page, the PC's IP address must be entered as the "Tunnel Server Address".
- 5) The PC's **firewall** must be open for TCP port **2016**, the default "Tunnel Destination Port". If secure connection with TLS is used for the Tunnel, then also TCP port **2017** must be open. *During installation of V-Archive this port is automatically opened, if permitted by the PC.*
- 6) The Tunnel connection to the PC is stable when the **GREEN LED is steady**, not blinking! *Also, the V-Tap must be shown with its MAC address in the status line of V-Archive.*
- 7) For first tests, better turn off "Tunnel Data Encryption". *Otherwise, be sure that the Encryption password is the same for both V-Tap and V-Archive.*
- 8) The V-Tap stores only data that passes the "Tunnel TCP/SIP Port Filter". *In case of an unknown port or for test, this filter can be set to zero to store **all** TCP/IP network traffic.*
- 9) When data is stored by the V-Tap during a call, the **BLUE LED blinks fast**.
- 10) To see if the PC receives something from the V-Tap, it is possible to make a network trace for test purposes. In V-Archive, go to menu Actions and select 'Network trace', press Start, make a call, press Stop, wait a little and then Save. From the zip, 'tunneltrace.pcap' can be analyzed with Wireshark.
- 11) The SD card in the V-Tap should contain ".TUN" files when data is captured. The SD card can be read by the V-Archive software in menu File and 'Import from V-Tap'.
- 12) When the V-Tap is connected to a trunk, it sees all calls that are passing. The V-Tap can only filter those calls on IP address, set with the "Tunnel IP Address Filter".